

# Datasheet

## 3-line LCL-filters

### for converters and power electronics

305/530 V, 50/60 Hz, 8...1140 A, 50 °C

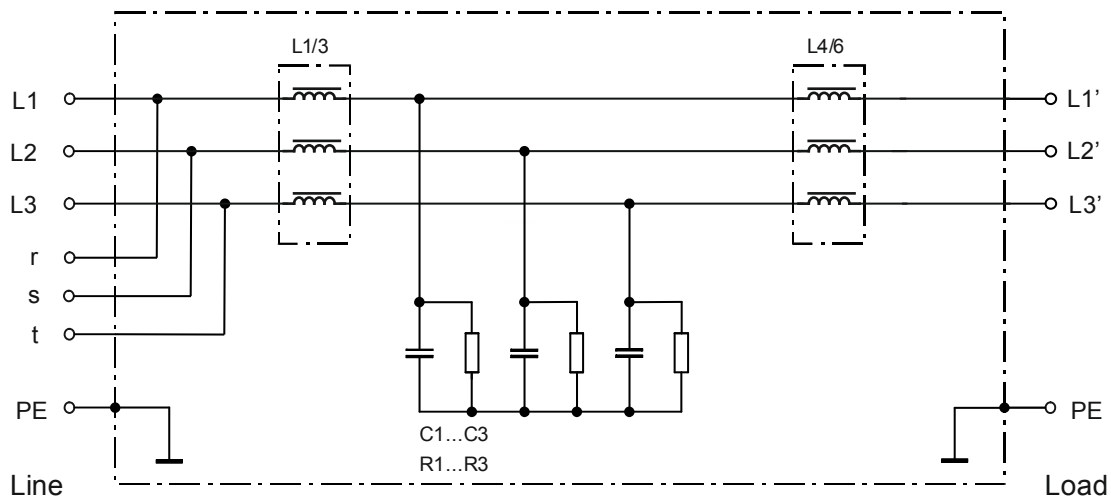
**Ordering code:** B84143G/Q\*R/S176

**Date:** 2015-12-15

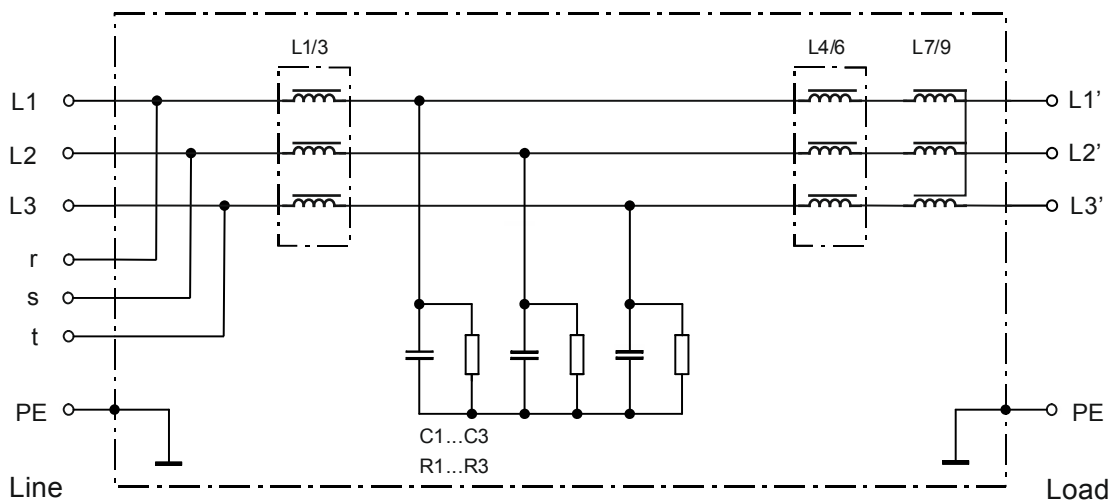
**Version:** 07

Typical circuit diagram

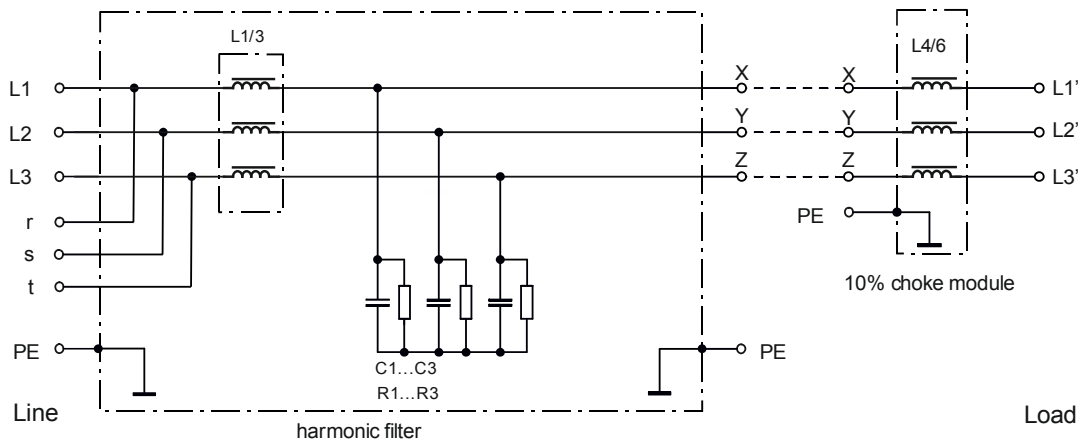
B84143G0008R176, B84143G0016R176, B84143G0030R176



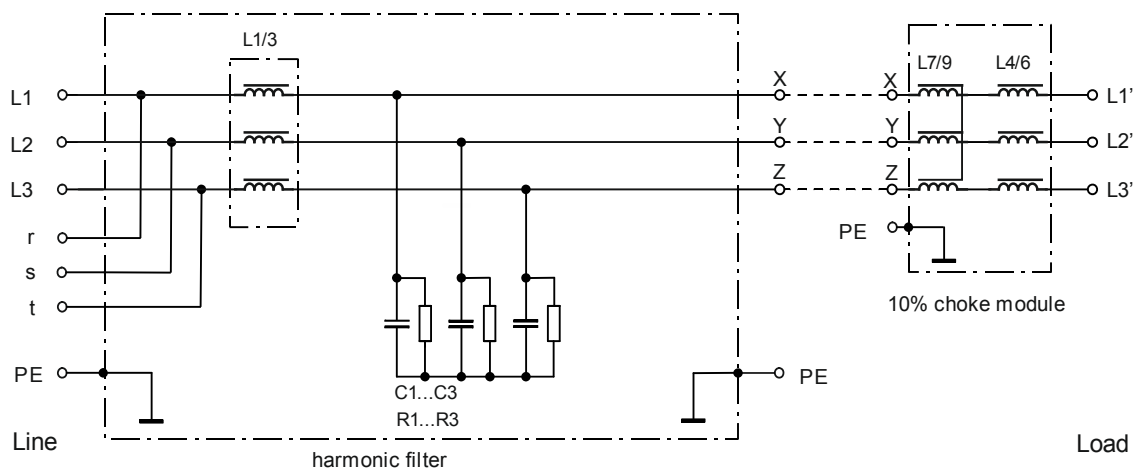
B84143G0043R176, B84143G0058R176



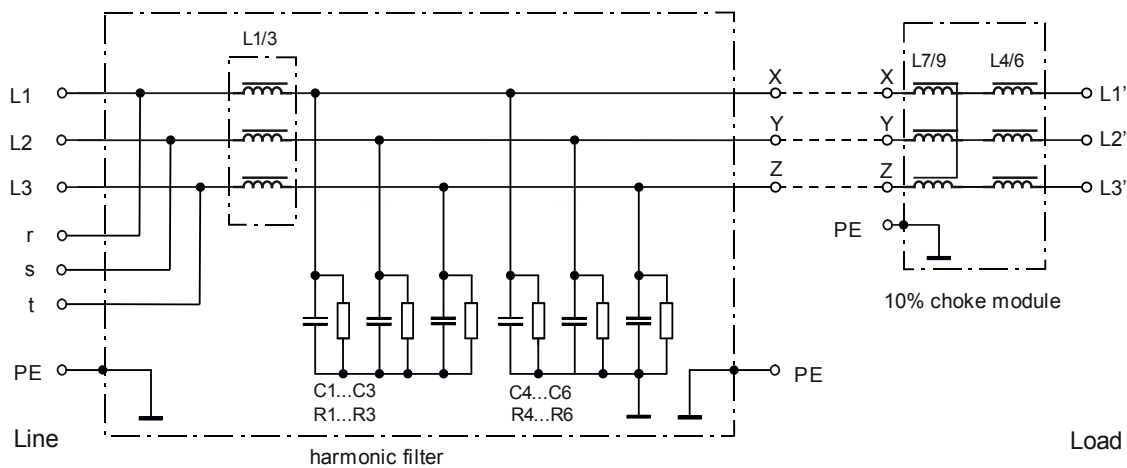
B84143G0086R176



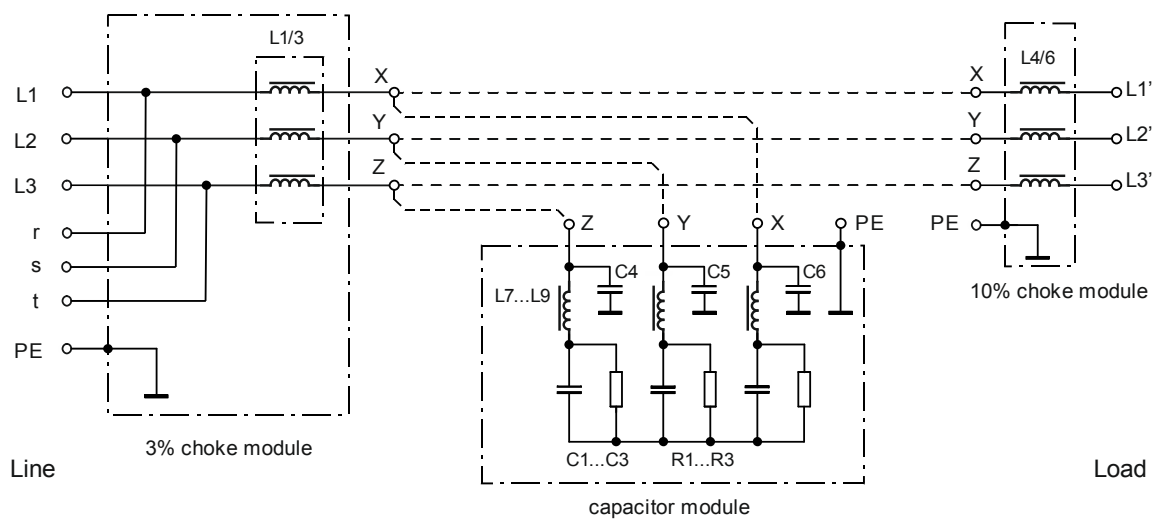
B84143G0145R176



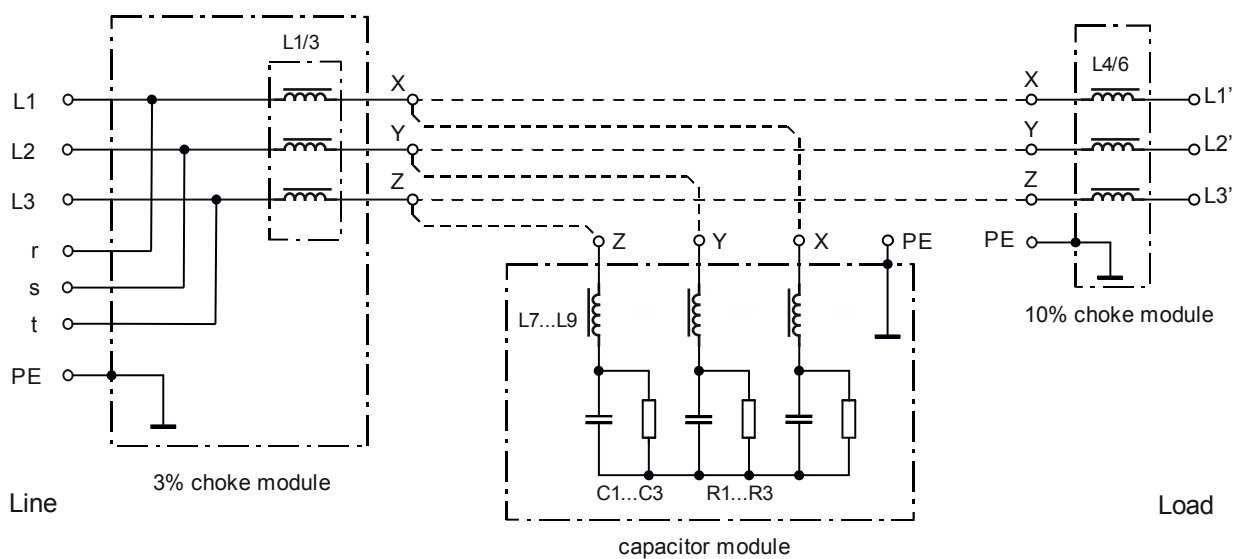
B84143G0210S176, B84143G0300S176



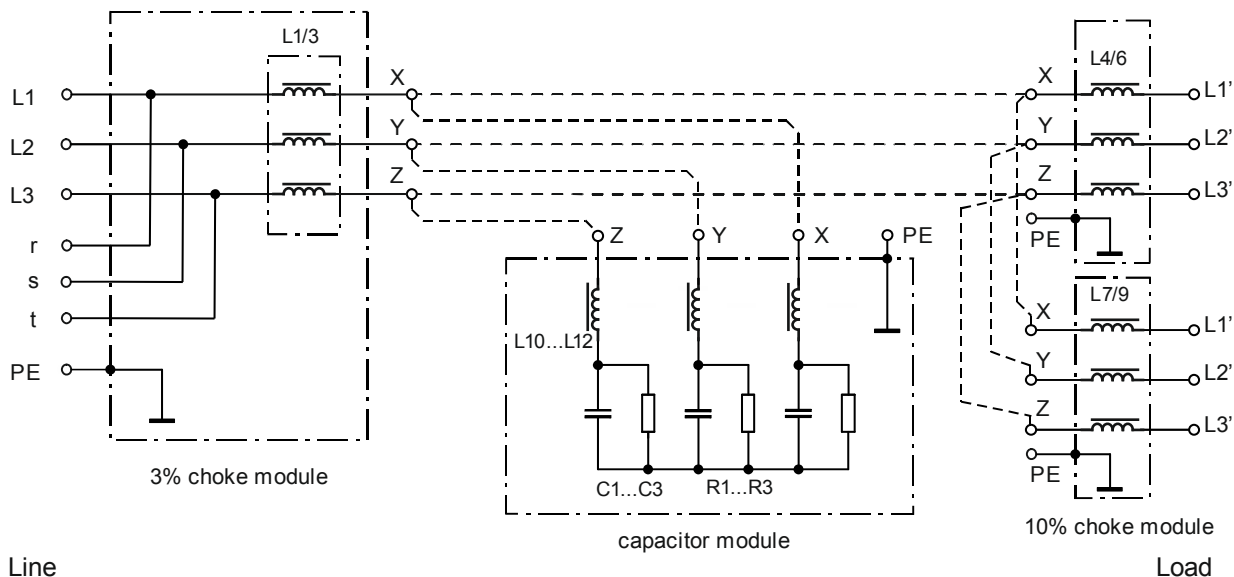
B84143G0410S176



B84143G0560S176



B84143G1140S176


**Technical data and measuring conditions**

Rated voltage	$U_R$ [L-PE / L-L]	305/530 V AC (50/60 Hz)
Test voltage line to line for 2 s	$U_{test}$	2280 V DC
Test voltage line to case for 2 s	$U_{test}$	3000 V DC
Rated temperature	$T_R$	50 °C
Climatic category (IEC 60068-1: 1992)		25/100/21
Degree of protection (IEC 60529: 2013)		IP 00
Degree of protection (IEC 60529: 2013) in combination with optional cover B84143Q*R176		IP 20

**Characteristics and ordering codes**

I <sub>R</sub>	Terminal cross section <sup>3)</sup>	Power losses <sup>1)</sup>	R <sub>typ</sub>	Approx. weight		Ordering code	Converter type CIMR-	Approvals <sup>2)</sup>		
								IEC 60939	UL 1283	CSA C22.2 No.8
A	mm <sup>2</sup>	W	mΩ	kg						
8	4	75	268	9		B84143G0008R176	Dx4A0005xxx	D	D	D
16	4	140	98	18		B84143G0016R176	Dx4A0010xxx	D	D	D
30	10	165	38	28		B84143G0030R176	Dx4A0020xxx	D	D	D
43	16	240	26	37		B84143G0043R176	Dx4A0030xxx	D	D	D
58	35	260	17	64		B84143G0058R176	Dx4A0040xxx	D	D	D
				Harmonic filter	10%-choke					
86	50	300	10	20	55	B84143G0086R176	Dx4A0060xxx	D	D	D
145	70	515	6	30	69	B84143G0145R176	Dx4A0100xxx	D	D	D
210	busbar	665	3	39	98	B84143G0210S176	Dx4A0130xxx	D	D	D
300	busbar	855	2.3	42	149	B84143G0300S176	Dx4A0185xxx	D	D	D
				3%-choke	10%-choke	Capacitor module				
410	busbar	1398	1.3	45	163	12	B84143G0410S176	Dx4A0270xxx	D	D
560	busbar	1970	1.25	55	185	25	B84143G0560S176	Dx4A0370xxx	D	D
1140	busbar	4015	0.64	115	2 x185	50	B84143G1140S176	Dx4A0630xxx	D	D

1) Power losses at nominal current and 20°C winding temperature with harmonics

2) X = approval granted

P = pending

D = designed with reference to

- = none

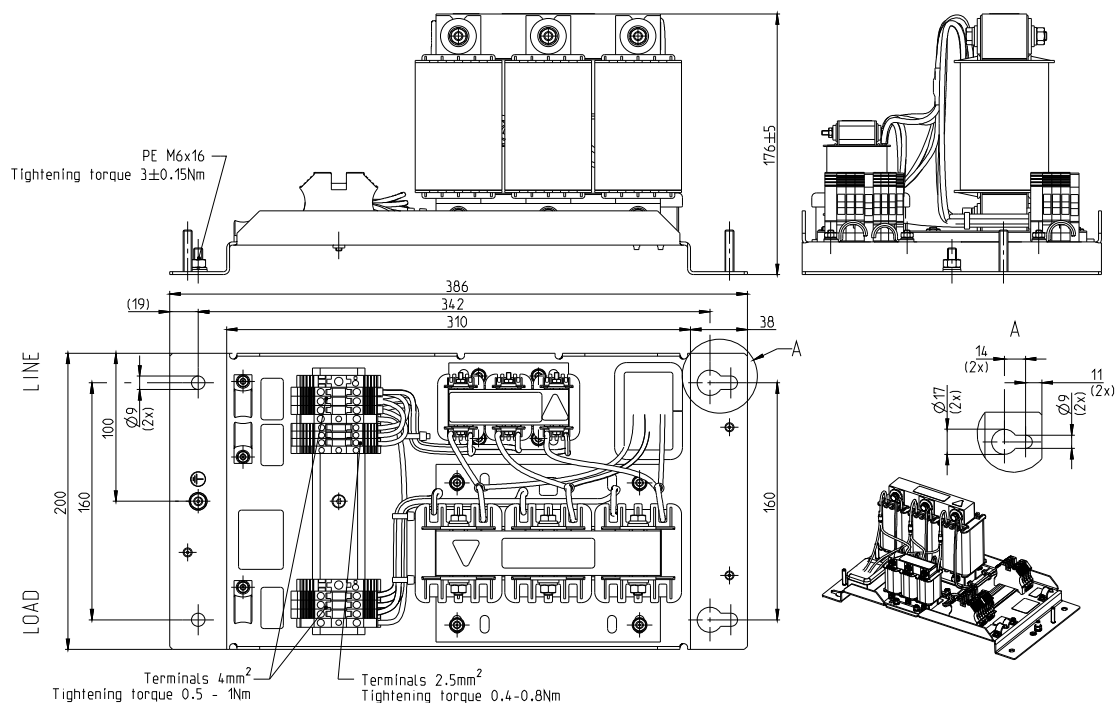
3) 2.5 mm<sup>2</sup> terminal cross section for D1000 voltage detection

**Ordering codes for optional covers**

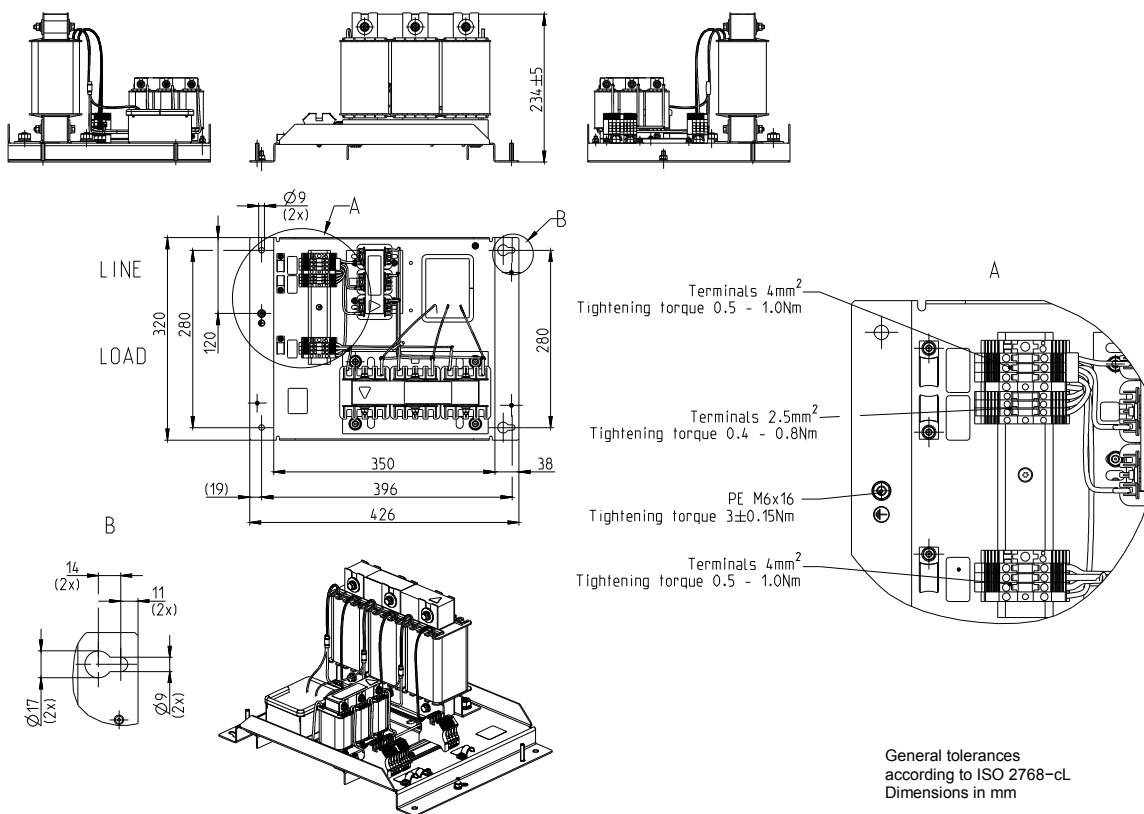
Ordering code cover	Material	Suitable for filter	Weight
			kg
B84143Q0008R176	Zinc plated sheet metal	B84143G0008R176	1.5
B84143Q0016R176	Zinc plated sheet metal	B84143G0016R176, B84143G0030R176	2.5
B84143Q0043R176	Zinc plated sheet metal	B84143G0043R176, B84143G0058R176	3.7

Covers for filter B84143G0086R176 up to B84143G1140S176 not available.

**Dimensional drawings  
B84143G0008R176**



**B84143G0016R176**



General tolerances according to ISO 2768-cL  
Dimensions in mm

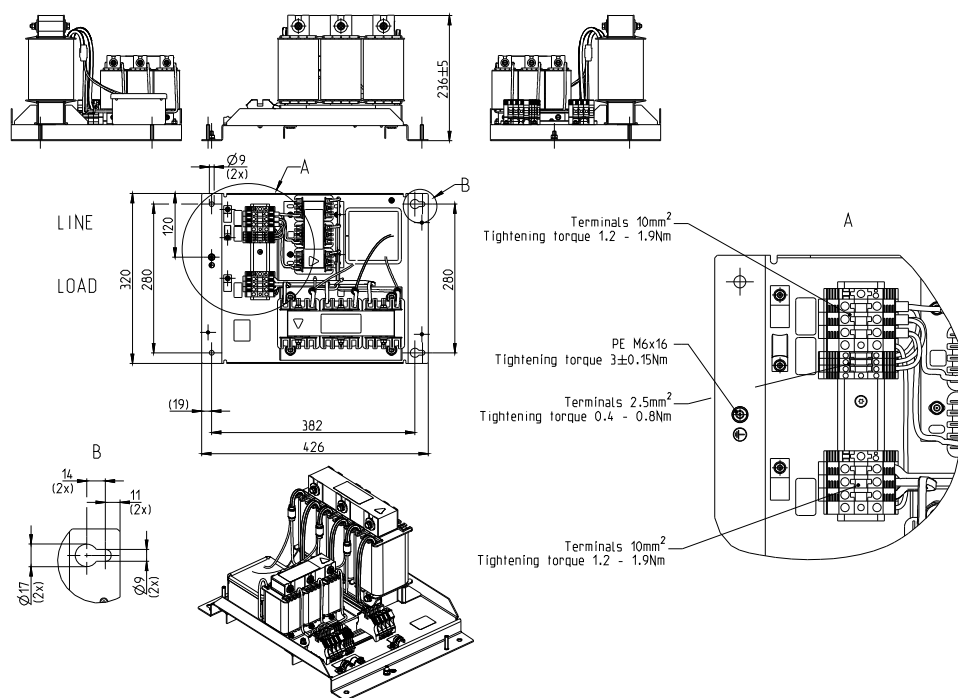
Please read *Cautions and warnings* and *Important notes* at the end of this document.

B84143G/Q\*R/S176-07-7659

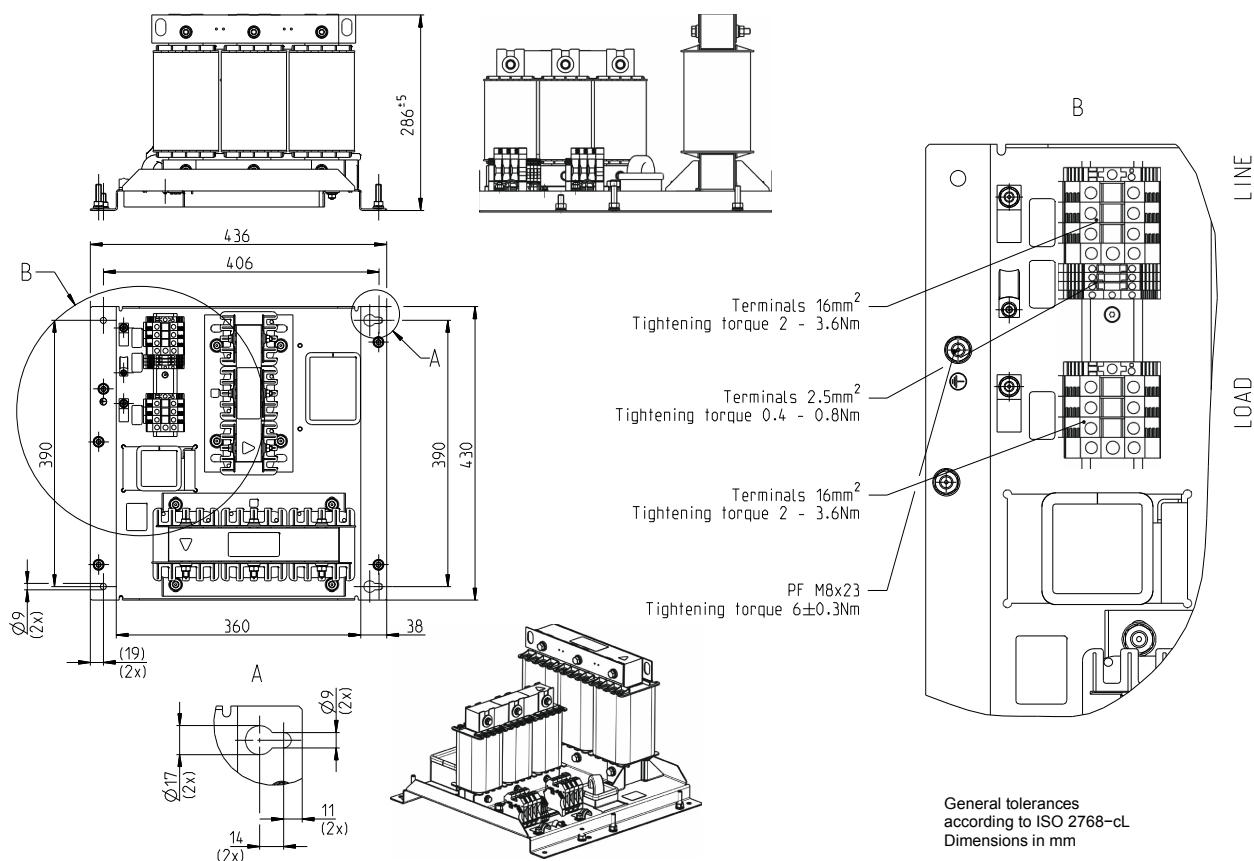
# 3-line LCL-filters for converters and power electronics

B84143G/Q\*R/S176

B84143G0030R176



B84143G0043R176



General tolerances according to ISO 2768-cL  
Dimensions in mm

Please read *Cautions and warnings* and *Important notes* at the end of this document.

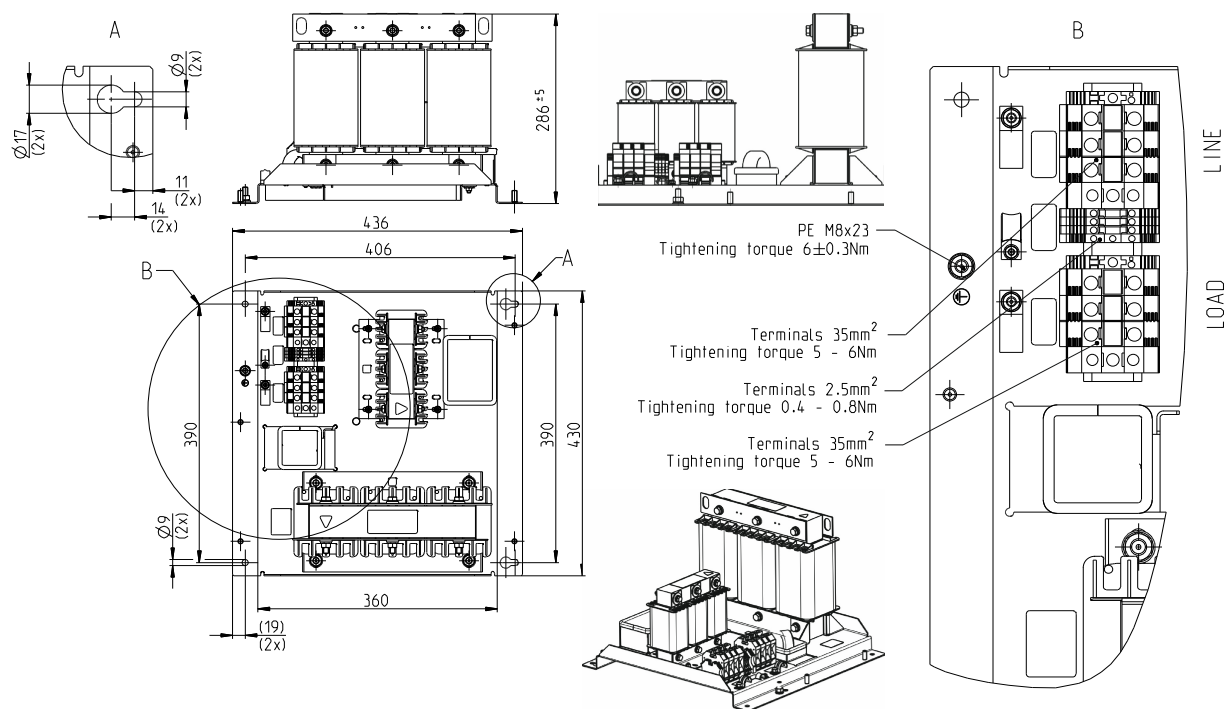
B84143G/Q\*R/S176-07-7659



**3-line LCL-filters  
for converters and power electronics**

**B84143G/Q\*R/S176**

B84143G0058R176



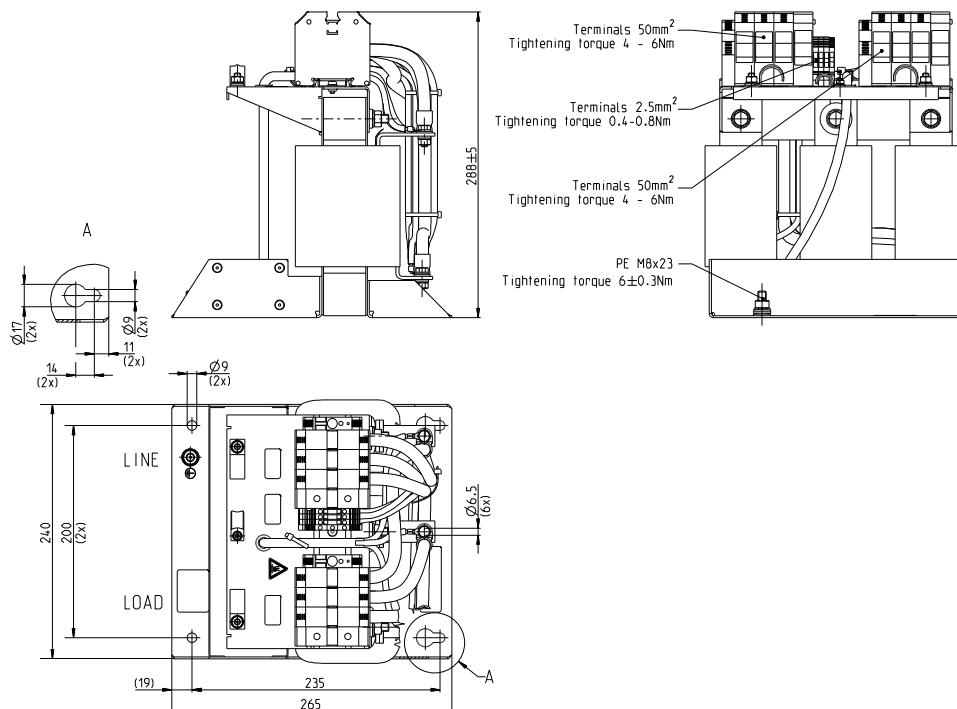
General tolerances according to ISO 2768-cL  
Dimensions in mm

**3-line LCL-filters  
for converters and power electronics**

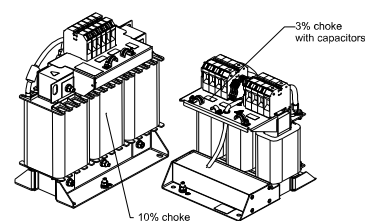
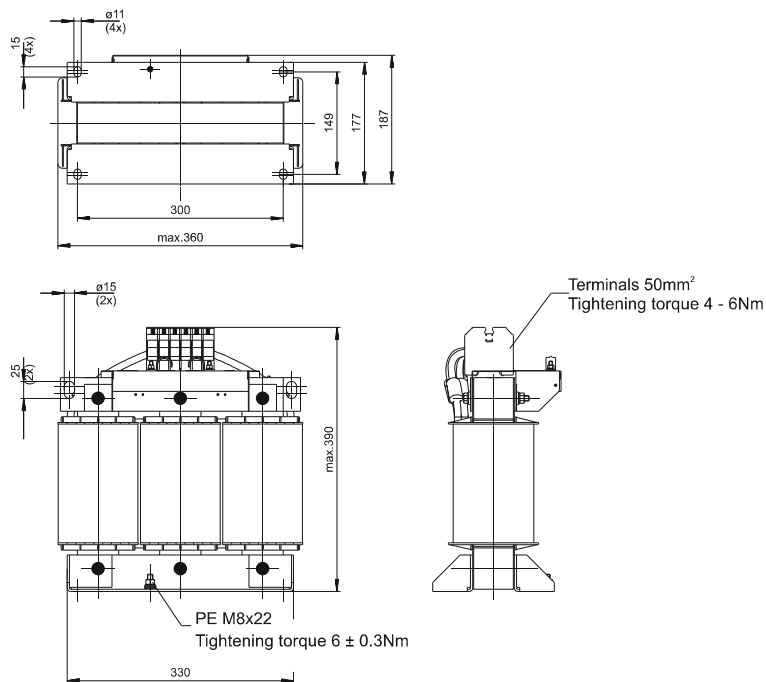
**B84143G/Q\*R/S176**

**B84143G0086R176**

Harmonic filter



10%-choke



General tolerances according to ISO 2768-cL  
Dimensions in mm

Please read *Cautions and warnings* and *Important notes* at the end of this document.

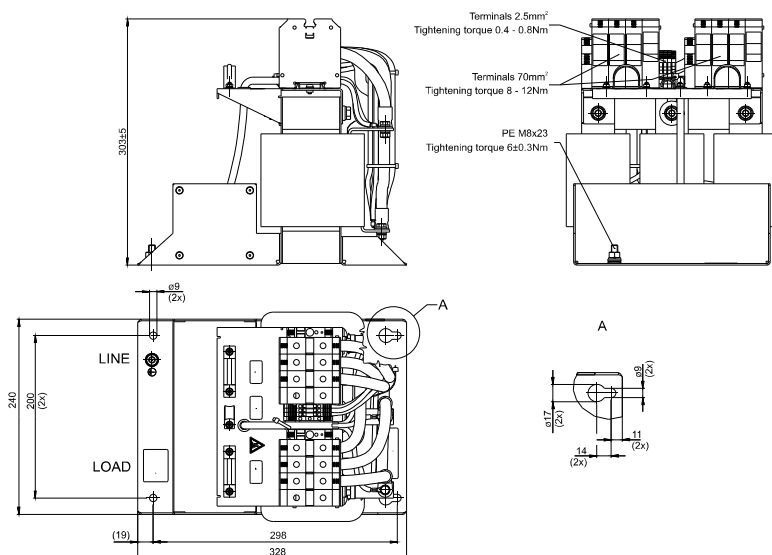
B84143G/Q\*R/S176-07-7659

# 3-line LCL-filters for converters and power electronics

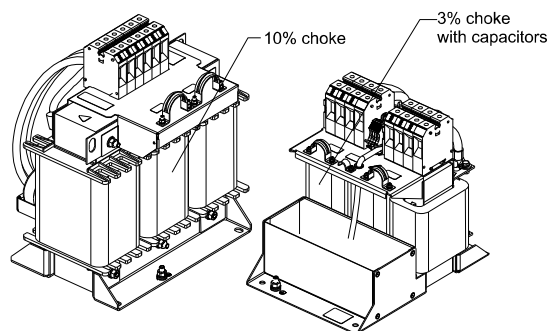
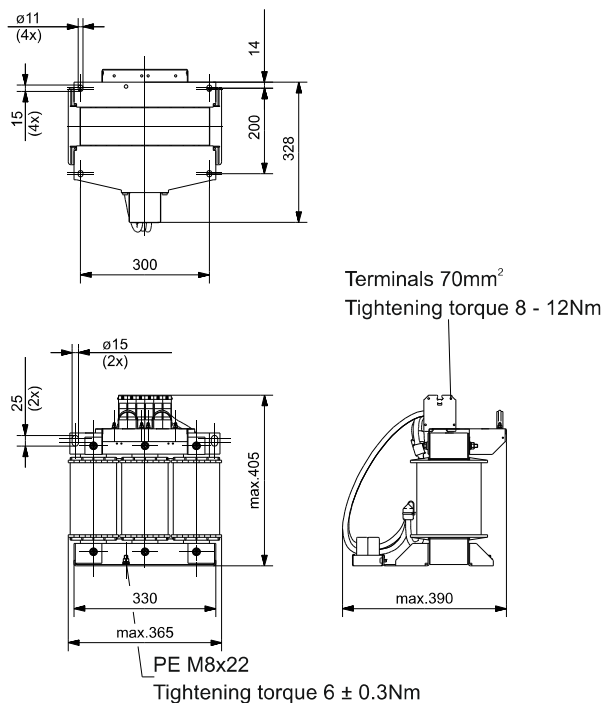
B84143G/Q\*R/S176

B84143G0145R176

Harmonic filter



10%-choke



General tolerances according to ISO 2768-cL  
Dimensions in mm

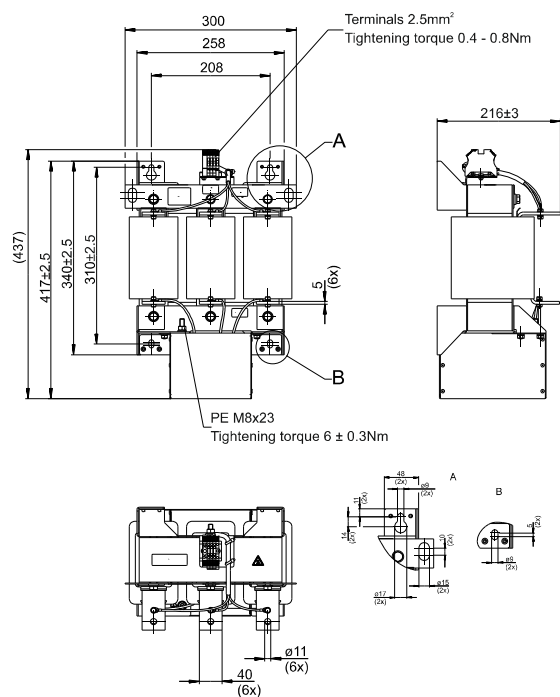
Please read *Cautions and warnings* and *Important notes* at the end of this document.

B84143G/Q\*R/S176-07-7659

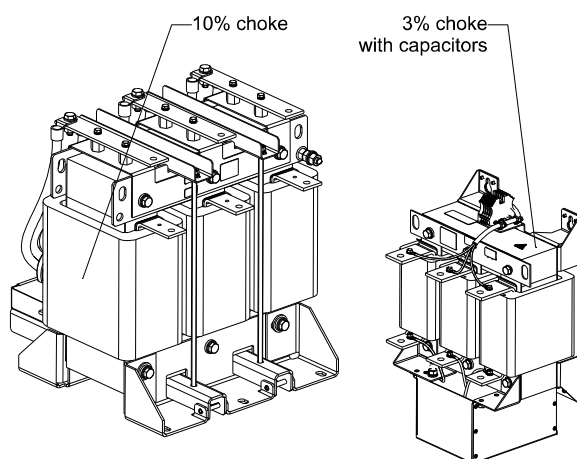
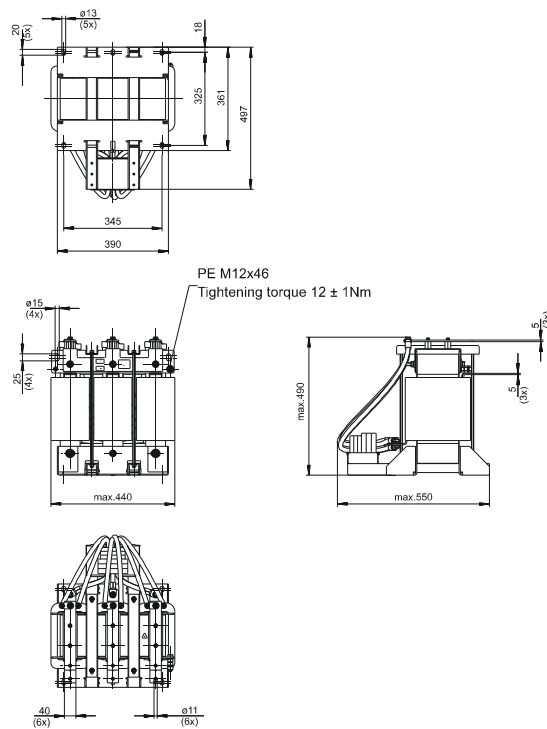


**B84143G0300S176**

Harmonic filter



10%-choke



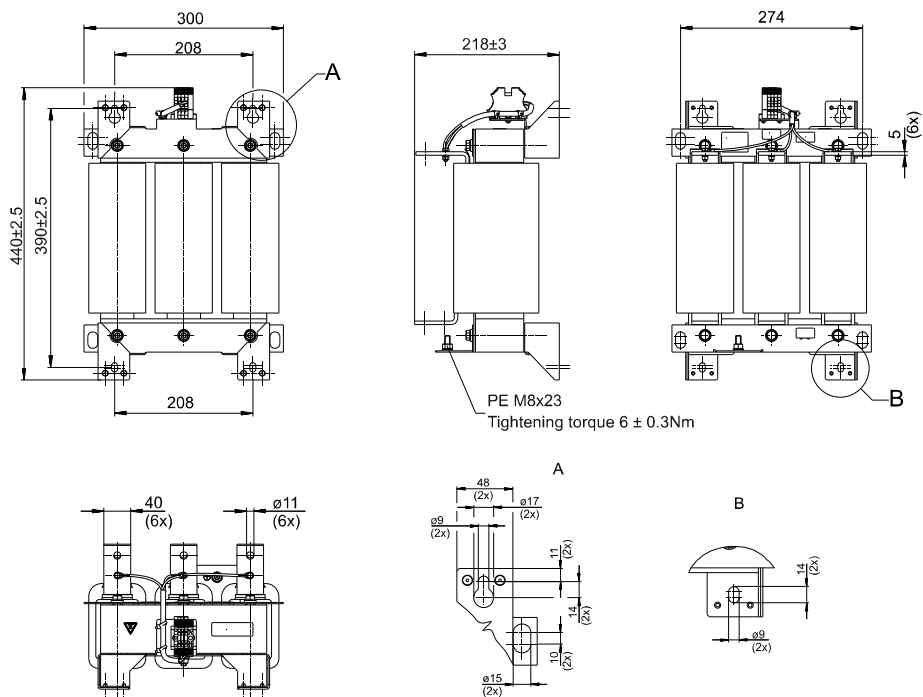
General tolerances according to ISO 2768-cl  
Dimensions in mm

**3-line LCL-filters  
for converters and power electronics**

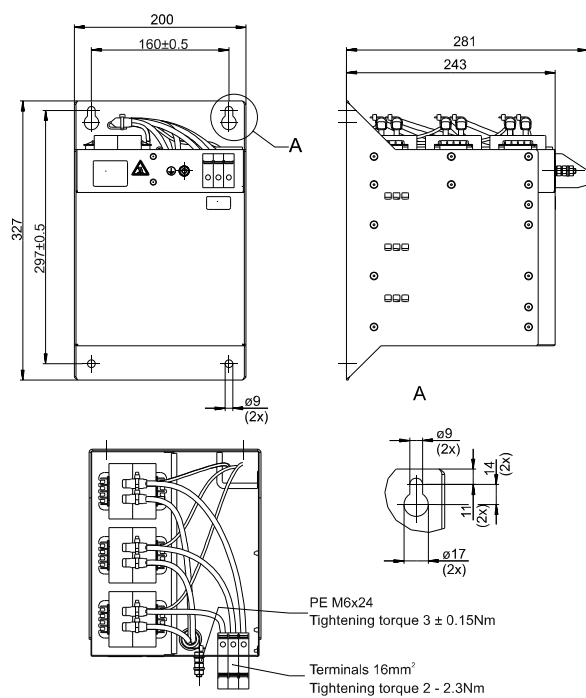
**B84143G/Q\*R/S176**

B84143G0410S176

3%-choke



Capacitor box

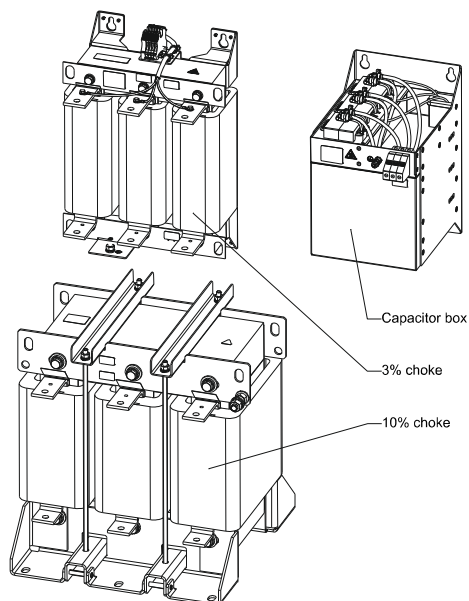
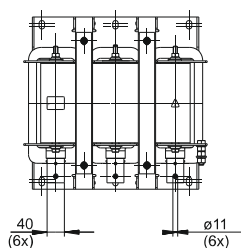
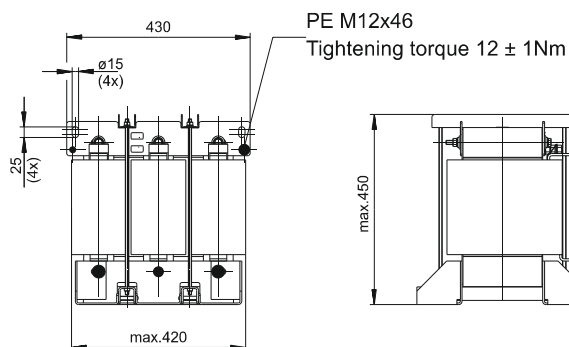
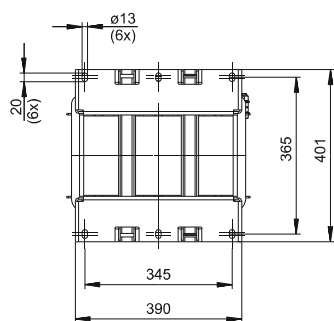


General tolerances according to ISO 2768-cL  
Dimensions in mm

Please read *Cautions and warnings* and *Important notes* at the end of this document.

B84143G/Q\*R/S176-07-7659

10%-choke



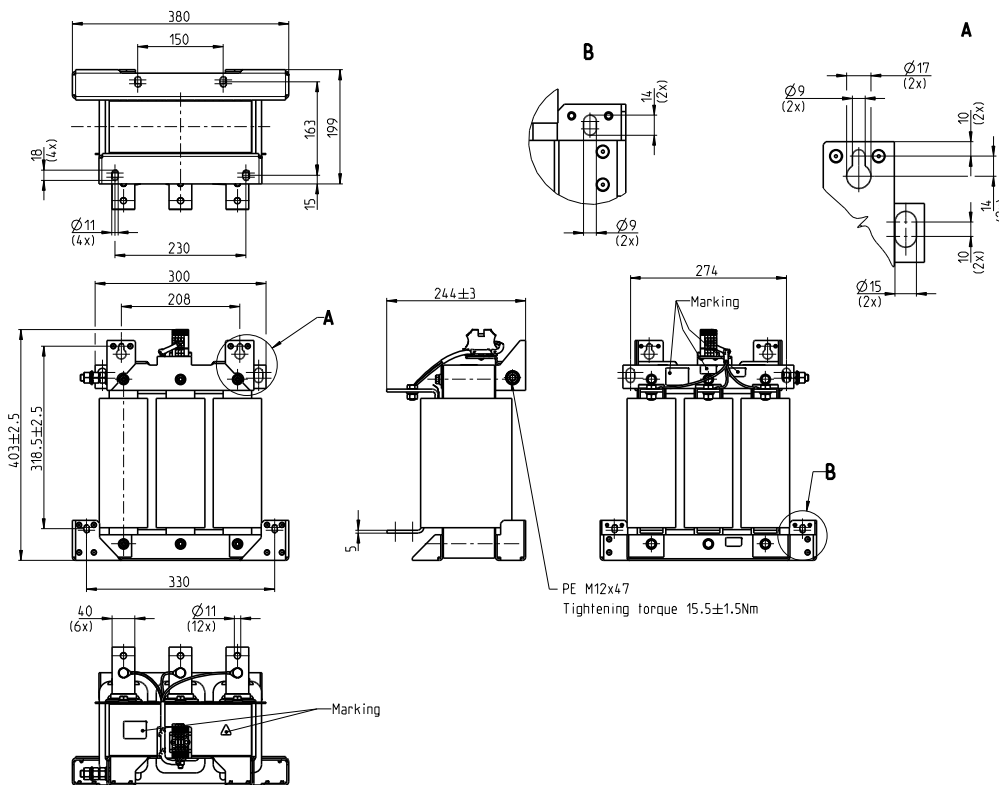
General tolerances according to ISO 2768-cL  
Dimensions in mm

**3-line LCL-filters**  
**for converters and power electronics**

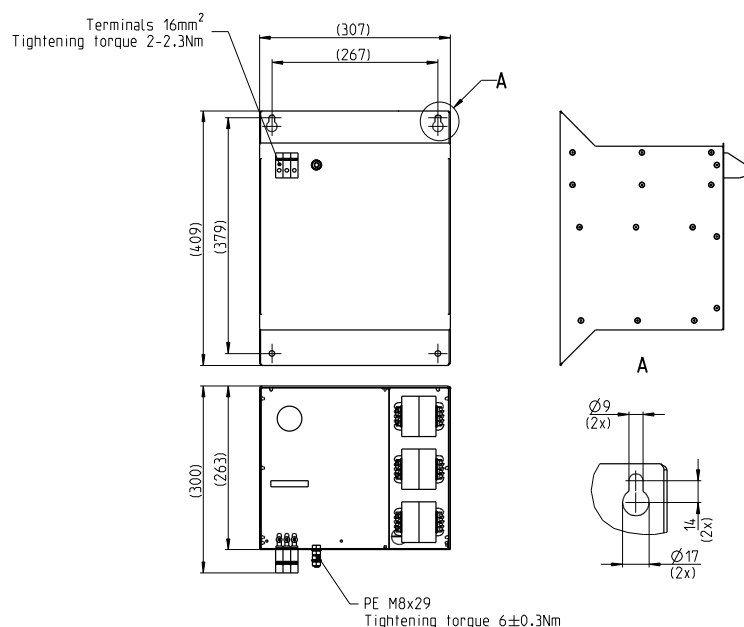
**B84143G/Q\*R/S176**

**B84143G0560S176**

3%-choke



Capacitor box



General tolerances according to ISO 2768-cL  
 Dimensions in mm

Please read *Cautions and warnings* and *Important notes* at the end of this document.

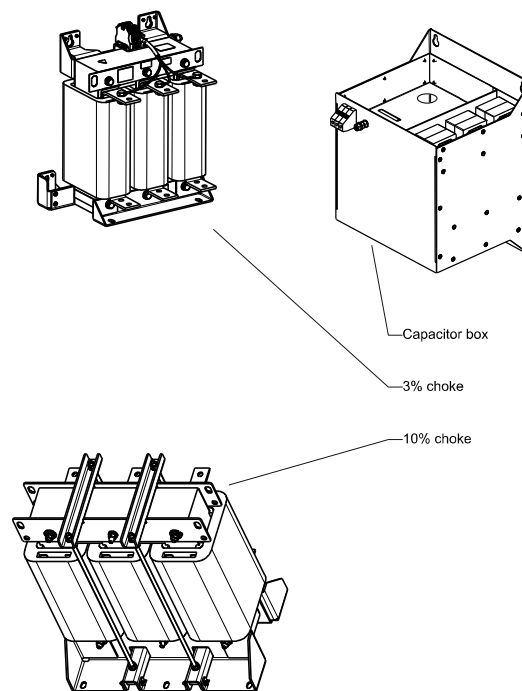
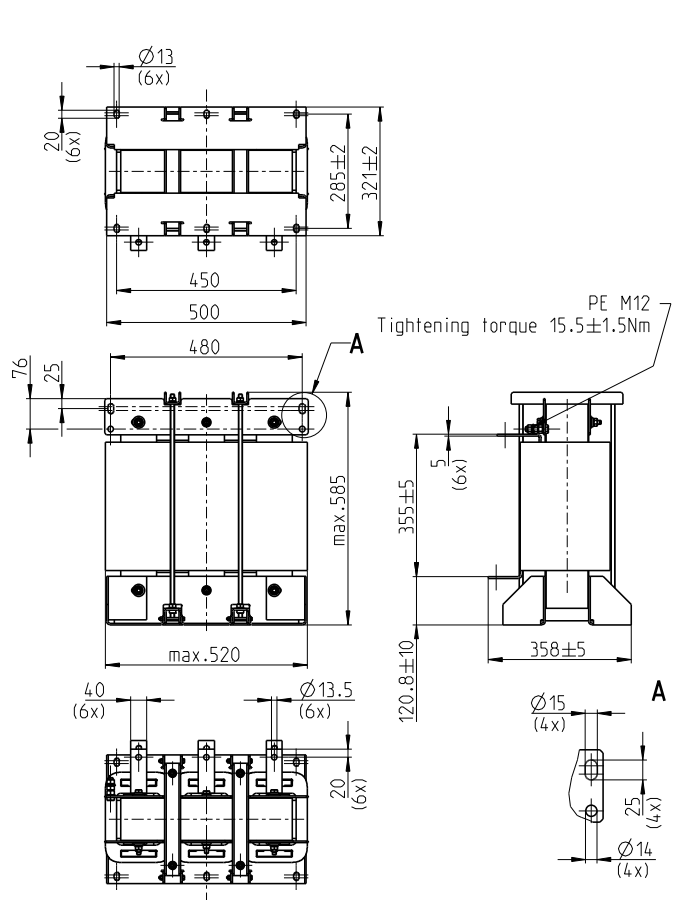
B84143G/Q\*R/S176-07-7659



**3-line LCL-filters**  
**for converters and power electronics**

**B84143G/Q\*R/S176**

10%-choke



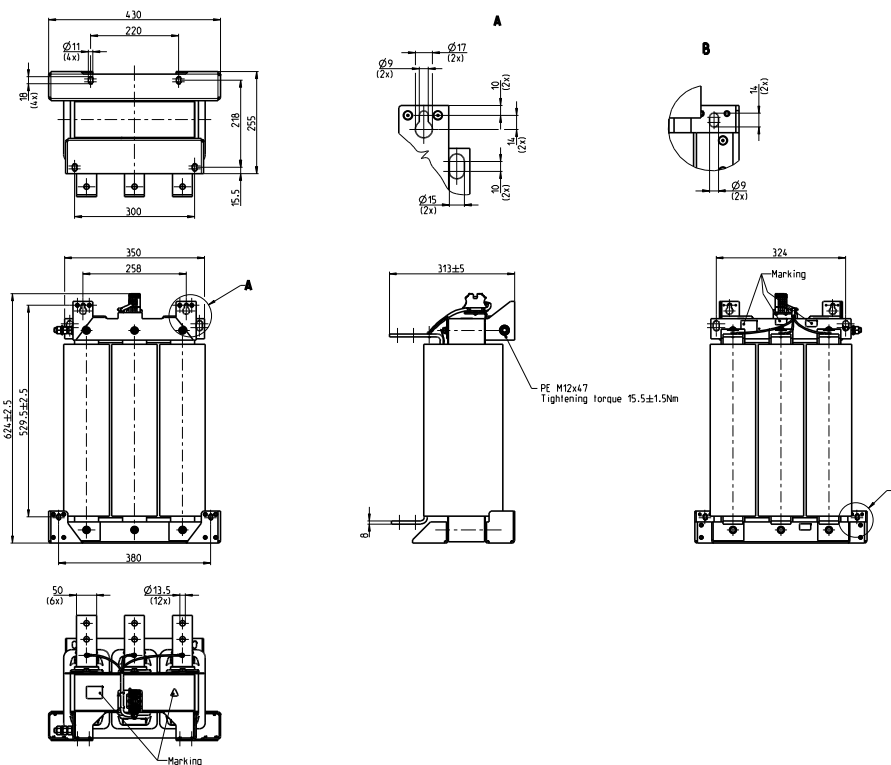
General tolerances according to ISO 2768-cL  
 Dimensions in mm

**3-line LCL-filters  
for converters and power electronics**

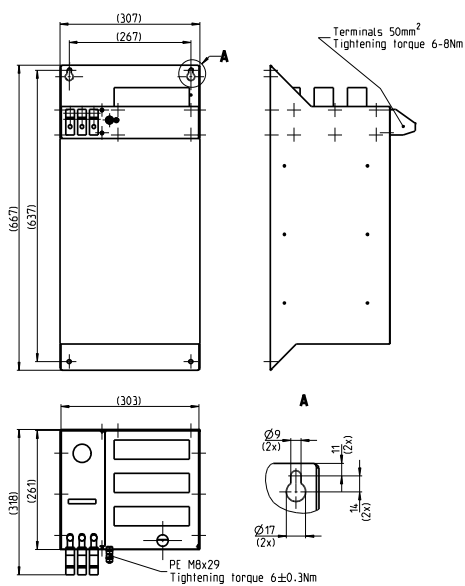
**B84143G/Q\*R/S176**

B84143G1140S176

3%-choke



Capacitor box



General tolerances according to ISO 2768-cL  
Dimensions in mm

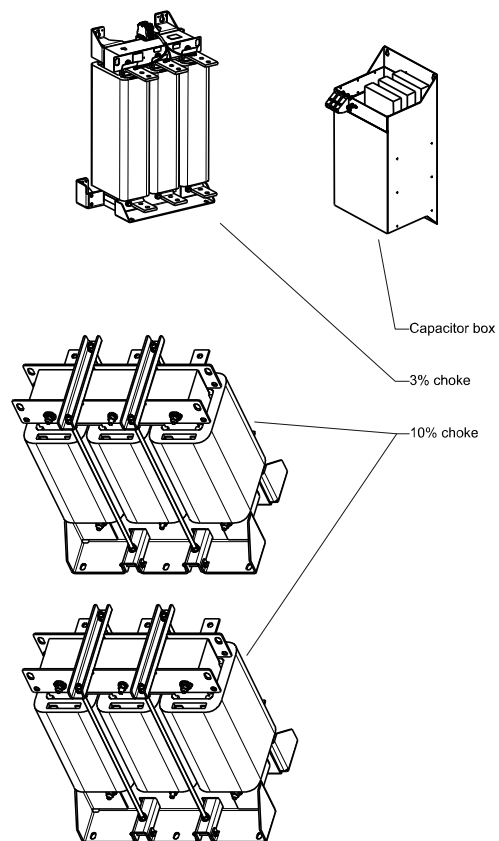
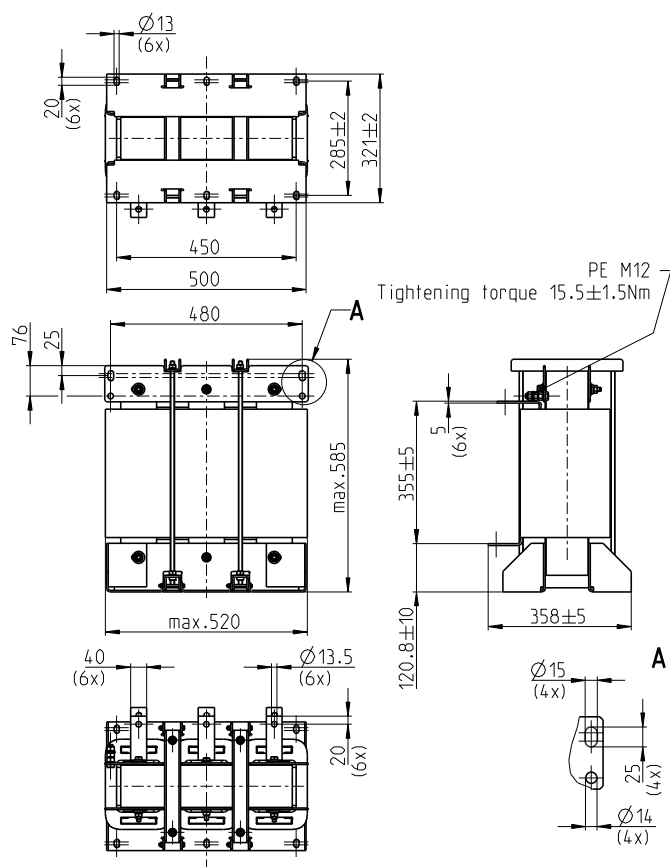
Please read *Cautions and warnings* and *Important notes* at the end of this document.

B84143G/Q\*R/S176-07-7659

**3-line LCL-filters**  
**for converters and power electronics**

**B84143G/Q\*R/S176**

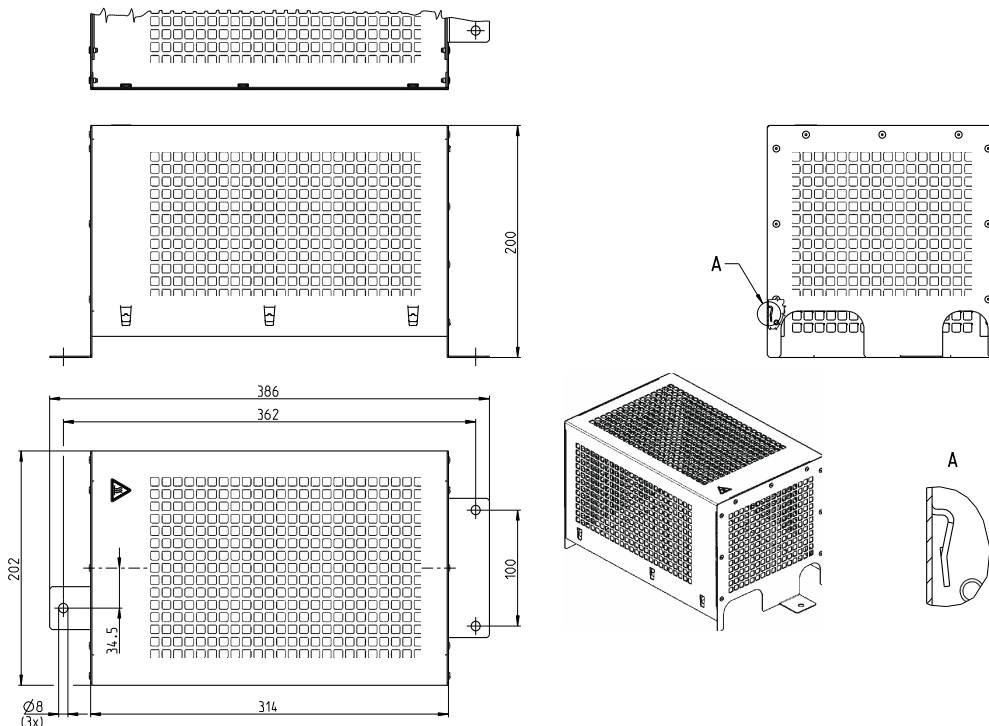
10%-choke



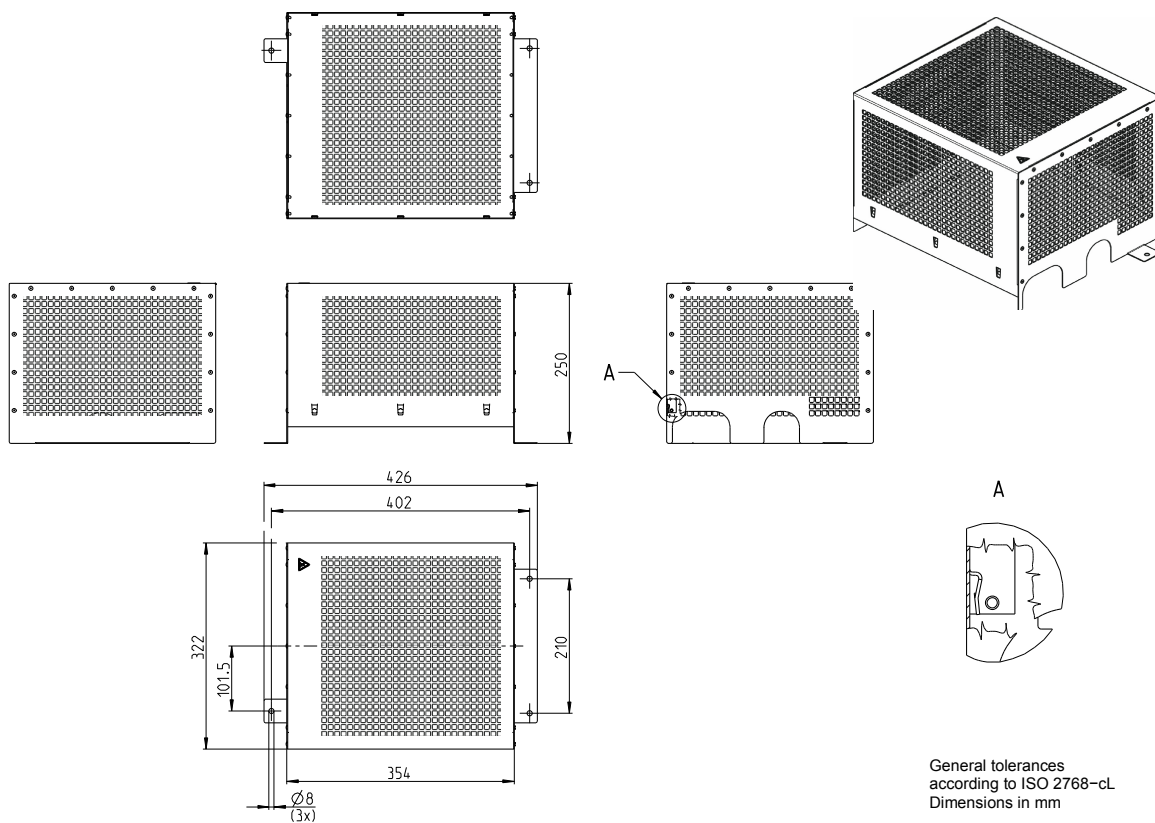
General tolerances  
 according to ISO 2768-cl  
 Dimensions in mm

Dimensional drawings for optional covers

B84143Q0008R176

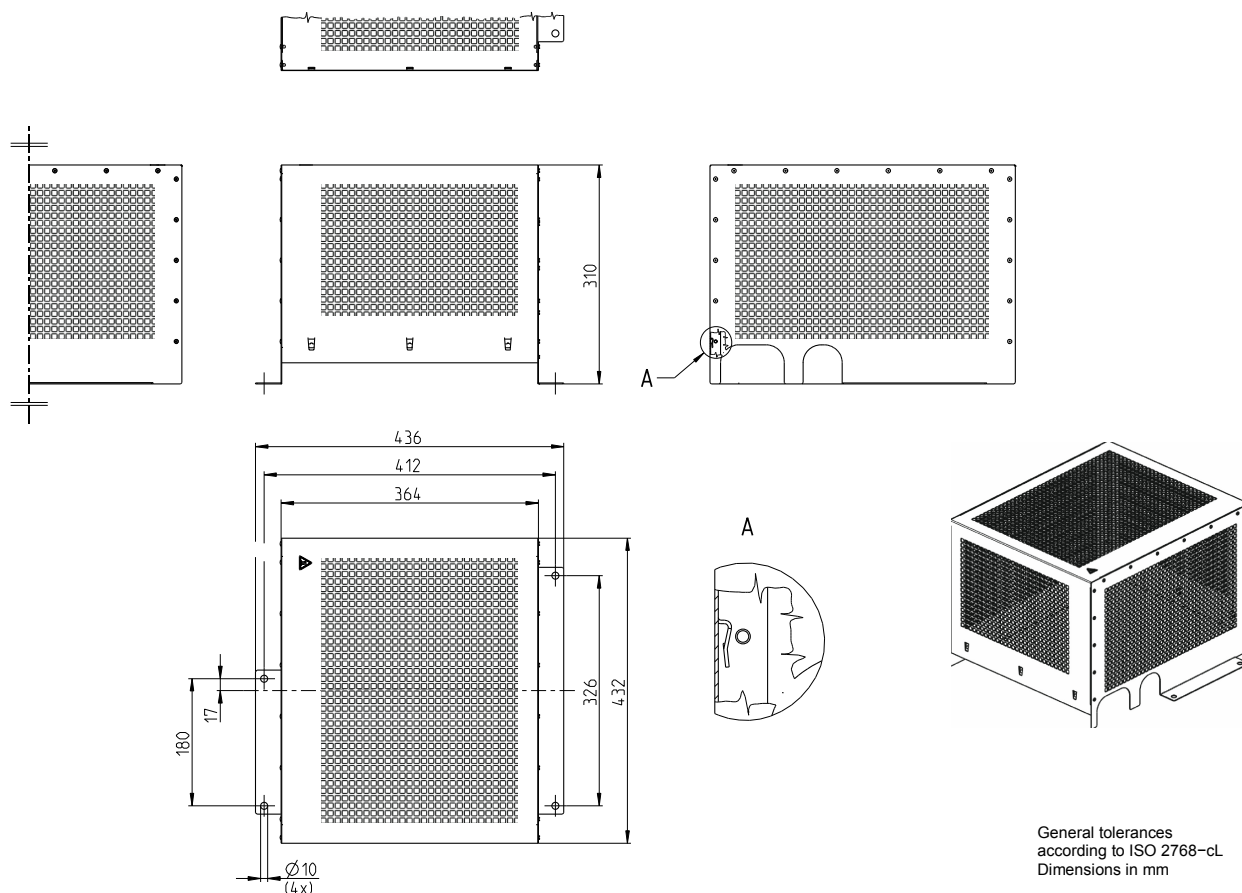


B84143Q0016R176

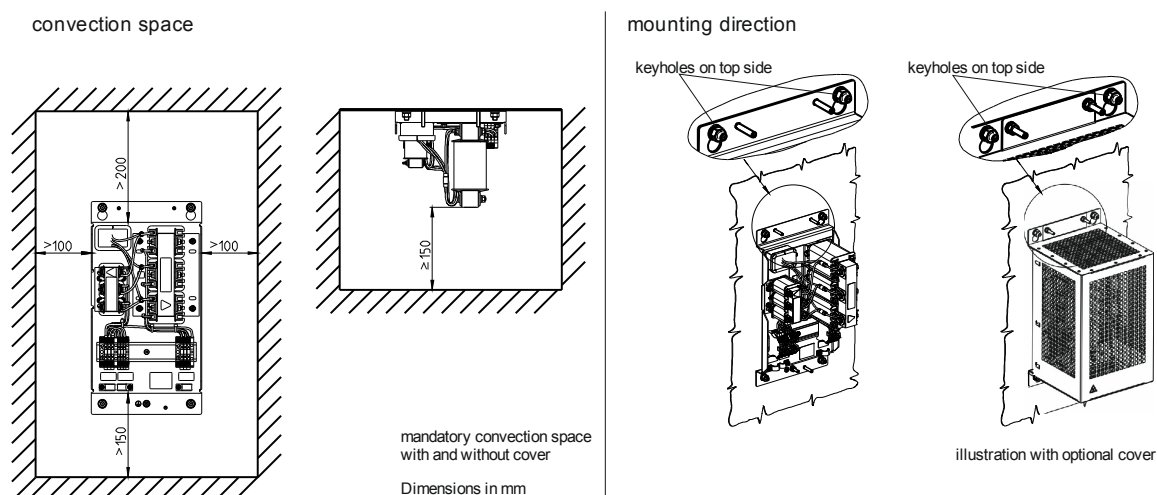


General tolerances according to ISO 2768-cl  
Dimensions in mm

B84143Q0043R176



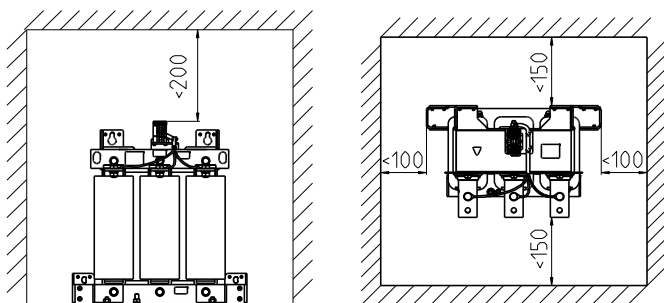
**Mounting and convection space**



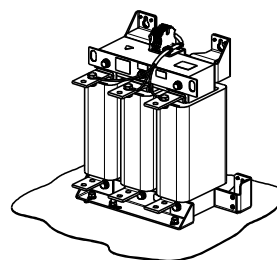
Please read *Cautions and warnings* and *Important notes* at the end of this document.

B84143G/Q\*R/S176-07-7659

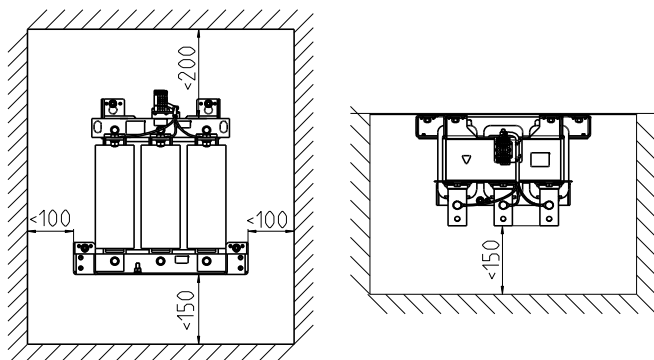
convection space for floor mounted design



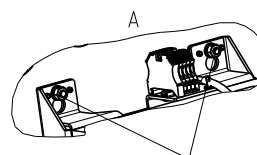
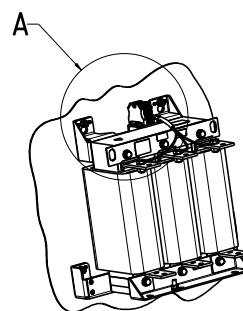
mounting direction for floor mounted design



convection space for wall mounted design



mounting direction for wall mounted design



Keyholes on top side

Dimensions in mm

### Cautions and warnings

- Please note the advices in our data book "EMC Filters" (latest edition); attention should be paid to the chapter "General safety notes".
- It shall be ensured that only qualified persons (electricity specialists) are engaged on work such as planning, assembly, installation, operation, repair and maintenance. They must be provided with the corresponding documentation.
- Danger of electric shock. filters contain components that store an electric charge. Dangerous voltages can continue to exist at the filter terminals for longer than five minutes even after the power has been switched off.
- The protective earth connections shall be the first to be made when the filter is installed and the last to be disconnected. Depending on the magnitude of the leakage currents, the particular specifications for making the protective-earth connection must be observed.
- Impermissible overloading of the filter, such as with circuits able to cause resonances, impermissible voltages at higher frequencies etc. can lead to bodily injury and death as well as cause substantial material damages (e.g. destruction of the filter housing).
- Filters must be protected in the application against impermissible exceeding of the rated currents by overcurrent protective devices.
- In case of leakage currents  $> 3.5$  mA you shall mount the PE conductor stationary with the required cross section before beginning of operation and save it against disconnecting. For leakage currents  $I_L^a) \leq 10$  mA the PE conductor must have a KU value  $^b)$  of 4.5; for leakage currents  $I_{LK} > 10$  mA the PE conductor must have a KU value of 6.
- Output chokes and output filters must be protected in the application against impermissible exceeding of the component temperature.
- The converter output frequency must be within the specified range to avoid resonances and uncontrolled warming of the output chokes and output filters.

a)  $I_L$  = Leakage current let-go

b) The KU value (symbol KU) is a classification parameter of safety-referred failure types designed to ensure protection against hazardous body currents and excessive heating.(DIN VDE 0800-1, 0800-8, 0800-9)

A value of KU = 4.5 with respect to interruptions is attained:

- with a permanently connected protective earth connections  $\geq 1.5$  mm<sup>2</sup>

- with a protective earth connection  $\geq 2.5$  mm<sup>2</sup> via connectors for industrial equipment (IEC 60309-2).

KU = 6 with respect to interruptions is achieved for fixed-connection lines  $\geq 10$  mm<sup>2</sup>, where the type of connection and installation is conform to the specification for PEN conductors according to DIN VDE 0100-540.

### Display of ordering codes for EPCOS products

The ordering code for one and the same EPCOS product can be represented differently in data sheets, data books, other publications, on the EPCOS website, or in order-related documents such as shipping notes, order confirmations and product labels. **The varying representations of the ordering codes are due to different processes employed and do not affect the specifications of the respective products.** Detailed information can be found on the Internet under [www.epcos.com/orderingcodes](http://www.epcos.com/orderingcodes)

### Important notes

The following applies to all products named in this publication:

1. Some parts of this publication contain **statements about the suitability of our products for certain areas of application**. These statements are based on our knowledge of typical requirements that are often placed on our products in the areas of application concerned. We nevertheless expressly point out **that such statements cannot be regarded as binding statements about the suitability of our products for a particular customer application**. As a rule, EPCOS is either unfamiliar with individual customer applications or less familiar with them than the customers themselves. For these reasons, it is always ultimately incumbent on the customer to check and decide whether an EPCOS product with the properties described in the product specification is suitable for use in a particular customer application.
2. We also point out that **in individual cases, a malfunction of electronic components or failure before the end of their usual service life cannot be completely ruled out in the current state of the art, even if they are operated as specified**. In customer applications requiring a very high level of operational safety and especially in customer applications in which the malfunction or failure of an electronic component could endanger human life or health (e.g. in accident prevention or life-saving systems), it must therefore be ensured by means of suitable design of the customer application or other action taken by the customer (e.g. installation of protective circuitry or redundancy) that no injury or damage is sustained by third parties in the event of malfunction or failure of an electronic component.
3. **The warnings, cautions and product-specific notes must be observed.**
4. In order to satisfy certain technical requirements, **some of the products described in this publication may contain substances subject to restrictions in certain jurisdictions (e.g. because they are classed as hazardous)**. Useful information on this will be found in our Material Data Sheets on the Internet ([www.epcos.com/material](http://www.epcos.com/material)). Should you have any more detailed questions, please contact our sales offices.
5. We constantly strive to improve our products. Consequently, **the products described in this publication may change from time to time**. The same is true of the corresponding product specifications. Please check therefore to what extent product descriptions and specifications contained in this publication are still applicable before or when you place an order. We also **reserve the right to discontinue production and delivery of products**. Consequently, we cannot guarantee that all products named in this publication will always be available. The aforementioned does not apply in the case of individual agreements deviating from the foregoing for customer-specific products.
6. Unless otherwise agreed in individual contracts, **all orders are subject to the current version of the "General Terms of Delivery for Products and Services in the Electrical Industry" published by the German Electrical and Electronics Industry Association (ZVEI)**.
7. The trade names EPCOS, Alu-X, CeraDiode, CeraLink, CeraPad, CeraPlas, CSMP, CSSP, CTVS, DeltaCap, DigiSiMic, DSSP, ExoCore, FilterCap, FormFit, LeaXield, MiniBlue, MiniCell, MKD, MKK, MotorCap, PCC, PhaseCap, PhaseCube, PhaseMod, PhiCap, PQSine, SIFERRIT, SIFI, SIKOREL, SilverCap, SIMDAD, SiMic, SIMID, SineFormer, SIOV, SIP5D, SIP5K, TFAP, ThermoFuse, WindCap are **trademarks registered or pending** in Europe and in other countries. Further information will be found on the Internet at [www.epcos.com/trademarks](http://www.epcos.com/trademarks).