

YASKAWA

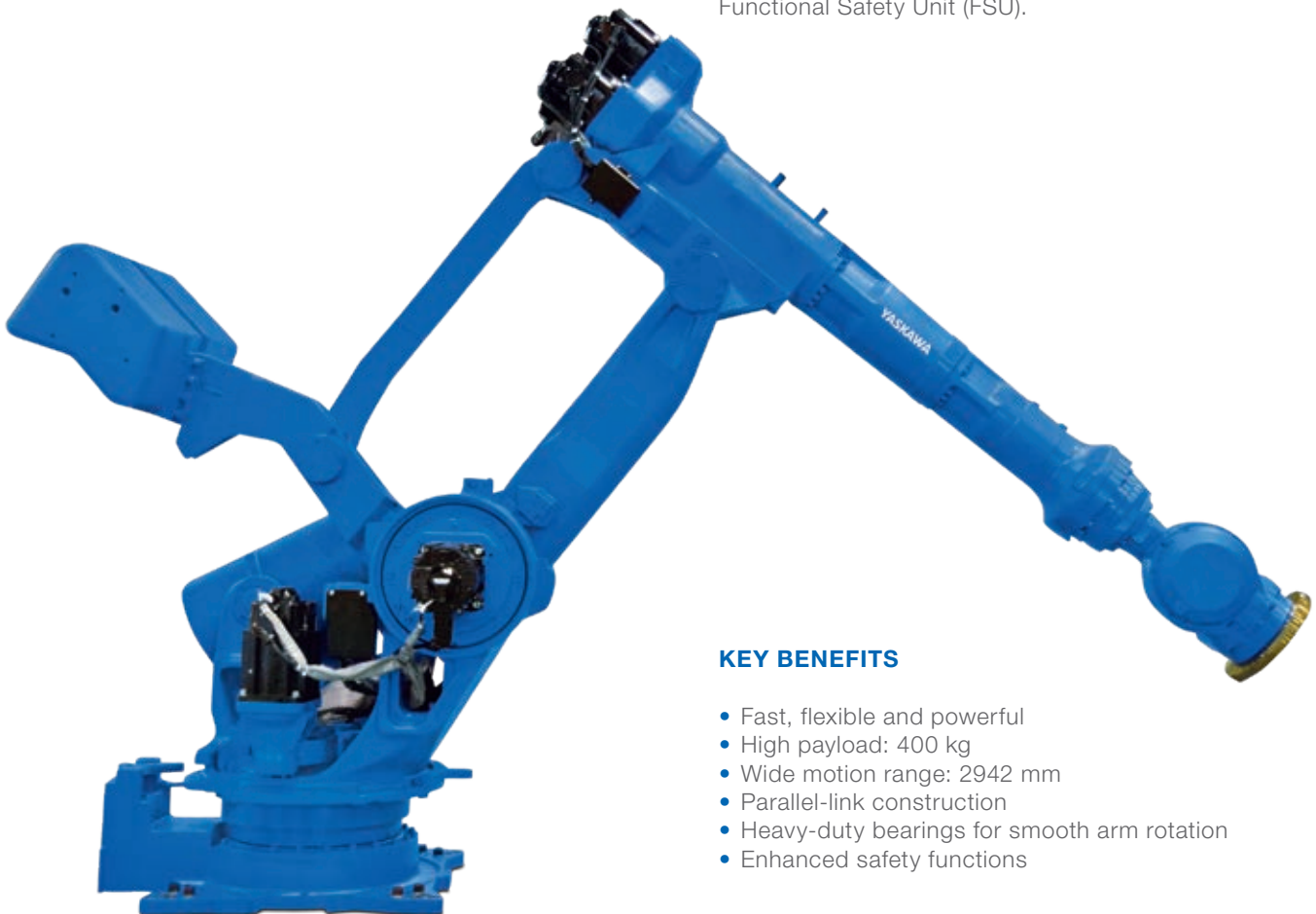
MOTOMAN GP400

Handling & General Applications with the GP-series

The 6-axis MOTOMAN GP400 is a versatile, powerful robot offering superior performance for a variety of applications. It provides a high payload of 400 kg and a wide motion range, which especially enables the handling of large work pieces.

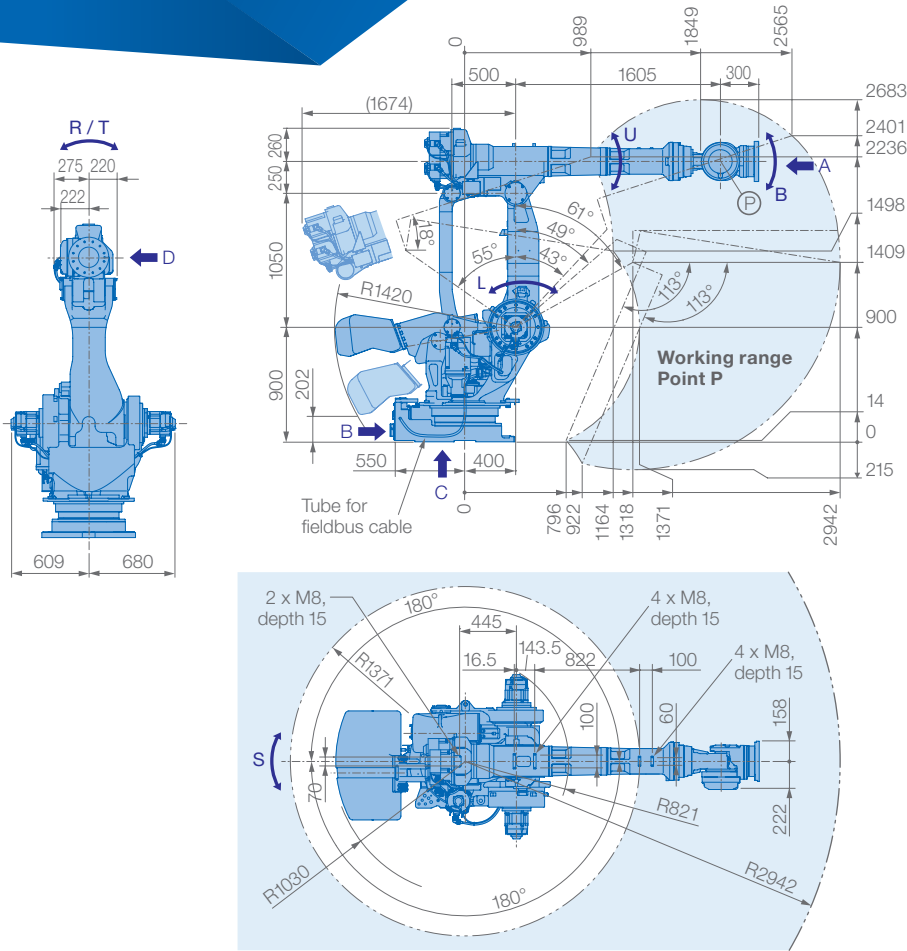
The robot features a parallel-link construction for strength, rigidity and stabilization of high moment and inertia loads. The GP400 also has heavy-duty bearings which provide a smooth arm rotation.

The MOTOMAN GP400 is available with the PLd Category 3 Functional Safety Unit (FSU).

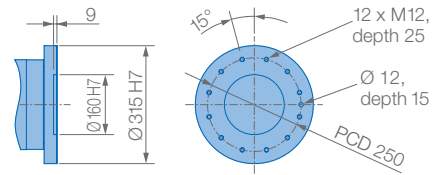


KEY BENEFITS

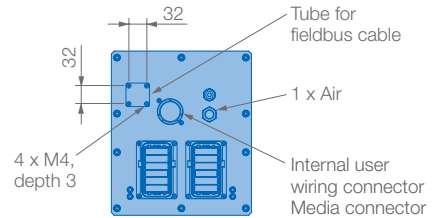
- Fast, flexible and powerful
- High payload: 400 kg
- Wide motion range: 2942 mm
- Parallel-link construction
- Heavy-duty bearings for smooth arm rotation
- Enhanced safety functions



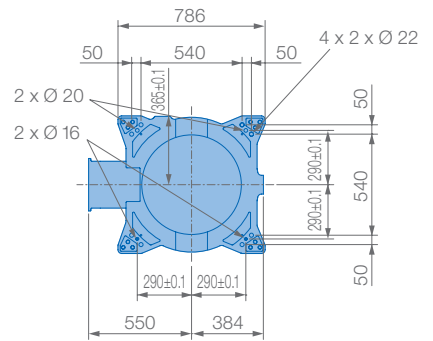
View A



View B

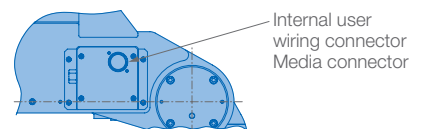


View C

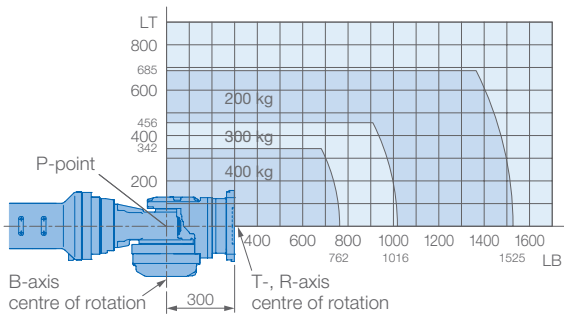


Mounting option: Floor
Protection class: IP30/IP67

View D



Allowable wrist load



Specifications GP400					
Axes	Maximum motion range [°]	Maximum speed [°/sec.]	Allowable moment [Nm]	Allowable moment of inertia [kg · m ²]	Controlled axes
S	±180	102	–	–	6
L	+61/–55	97	–	–	Max. payload [kg]
U	+18/–113	97	–	–	Repeatability [mm]
R	±360	80	2989	500	Max. working range R [mm]
B	±115	80	2989	500	Temperature [°C]
T	±360	172	1343	315	Humidity [%]
					Weight [kg]
					Power supply, average [KVA]

Yaskawa Europe GmbH

Robotics Division
Yaskawastraße 1
85391 Allershausen
Germany

Tel. +49 (0) 8166 90-0
robotics@yaskawa.eu.com
www.yaskawa.eu.com

YR-1-06VX400-A00
B-10-2020, A-No. 195952